



Profit from the Eagle Advantage®

Specification Sheet

Short Form Specifications

Chrome-plated 24" wide by 48" or 60" lengths. Four support bars with a wire shelf at the base and a three-sided channel frame at the mid height and top. 5"-diameter polyurethane swivel casters.



#SWC2460C sterile wrap cart

Options / Accessories

- Cart cover
- Dividers
- Additional support bars
- Plastic shelf markers
- Ledges

EAGLE GROUP

100 Industrial Boulevard, Clayton, DE 19938-8903 USA

Phone: 302-653-3000 • Fax: 302-653-2065

www.eaglegrp.com

Foodservice Division: Phone 800-441-8440

MHC/Retail Display Divisions: Phone 800-637-5100

For custom configuration or fabrication needs, contact our SpecFAB® Division.

Phone: 302-653-3000 • Fax: 302-653-3091 • e-mail: specfab@eaglegrp.com

Item No.: _____
 Project No.: _____
 S.I.S. No.: _____

Sterile Wrap Carts

MODELS:

- | | | |
|-------------------------------------|--------------------------------------|--------------------------------------|
| <input type="checkbox"/> SWC2448C | <input type="checkbox"/> CV-63-2448 | <input type="checkbox"/> CVC-63-2448 |
| <input type="checkbox"/> SWC2460C | <input type="checkbox"/> CV-63-2460 | <input type="checkbox"/> CVC-63-2460 |
| <input type="checkbox"/> CZ-63-2448 | <input type="checkbox"/> CZC-63-2448 | <input type="checkbox"/> SB48 |
| <input type="checkbox"/> CZ-63-2460 | <input type="checkbox"/> CZC-63-2460 | <input type="checkbox"/> SB60 |

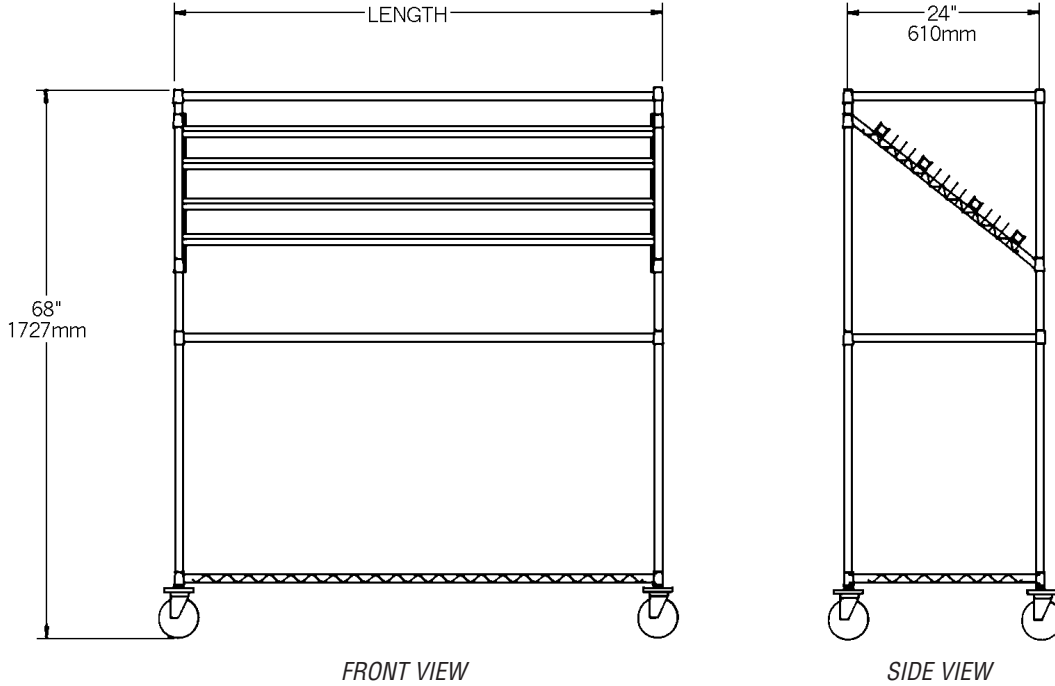
Design and Construction Features

- Sterile Wrap Carts provide a safe and convenient place to hang or store wraps. Most wraps can be hung so that all sizes can be seen or removed at one time. The bottom wire shelf, standard on all units, can be used to hold extra or odd size wraps.
- Carrier assembly, which supports the bars, is adjustable in 1" (25mm) increments along the height of the posts so that it can be positioned at a comfortable level for users, whether seated or standing. The four bars can also be positioned in any of 18 slots along the carrier assembly.
- All models come standard with four square horizontal bars; additional bars can be added as accessories if needed.
- 5" (127mm) swivel casters provide easy maneuverability.
- Available in two lengths: 48" and 60" (1219 and 1524mm). The 60" (1219mm) models will hold wrap up to 54" x 72" (1372 x 1829mm).
- All models are 68" (1727mm) in overall height.
- Units have four 1" (25mm)-diameter posts with grooves numbered in 1" (25mm) increments to ensure fast and level assembly and adjustment.
- 5" (127mm) swivel chrome-plated with polyurethane tread.
- Chrome-plated bottom wire shelf.
- 3-sided chrome-plated top and intermediate channel frames.
- 1" (25mm) chrome-plated support bars.



Item No.: _____
 Project No.: _____
 S.I.S. No.: _____

Sterile Wrap Carts



model #	width		length		height		weight	
	in.	mm	in.	mm	in.	mm	lbs.	kg
SWC2448C	24"	610	48"	1219	68"	1727	83	37.6
SWC2460C	24"	610	60"	1524	68"	1727	94	42.6

Optional Sterile Wrap Cart Covers

uncoated w/zipper model #	uncoated w/velcro model #	coated w/zipper model #	coated w/velcro model #	shelf width in. mm	shelf length in. mm	post height in. mm	weight lbs. kg
CZ-63-2448	CV-63-2448	CZC-63-2448	CVC-63-2448	24" 610	48" 1219	63" 1600	4 1.8
CZ-63-2460	CV-63-2460	CZC-63-2460	CVC-63-2460	24" 610	60" 1524	63" 1600	5 2.3

Additional Support Bars

model #	length		weight	
	in.	mm	lbs.	kg
SB48	48"	1219	2.7	1.2
SB60	60"	1524	3.4	1.5

EAGLE GROUP
 100 Industrial Boulevard, Clayton, DE 19938-8903 USA
 Phone: 302-653-3000 • Fax: 302-653-2065
 www.eaglegrp.com

Foodservice Division: Phone 800-441-8440
 MHC/Retail Display Divisions: Phone 800-637-5100

Printed in U.S.A.
 ©2009 by Eagle Group
 Rev. 02/09

Spec sheets available for viewing, printing or downloading from our online literature library at www.eaglegrp.com

Although every attempt has been made to ensure the accuracy of the information provided, we cannot be held responsible for typographical or printing errors. Information and specifications are subject to change without notice. Please confirm at time of order.