



Profit from the Eagle Advantage®

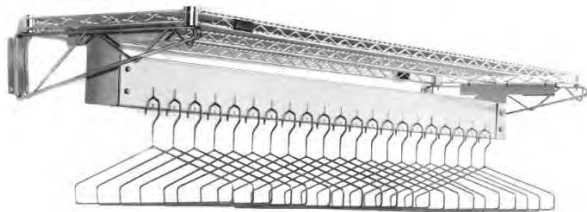
Specification Sheet

Short Form Specifications

Racks with Hanger Slots: Hanger slots on 2½" centers. Hanger bar suspended from 24"-wide wire shelf, 48" to 72" in length. Electropolished stainless or chrome plated finish.

Racks with Hooks: High density storage with hooks on 1½" centers staggered vertically for accessibility. 14"-wide by 48"-72" length. Chrome plated or electropolished stainless steel.

Racks with Hanger Tube: 1"-diameter tube suspended from an 18"-deep wire shelf 48"-72" in length. Chrome plated or brush stainless steel.



with hanger slots



with hooks



with hanger tube

Options / Accessories

- Hangers
- Plastic shelf markers
- Keeper bars (for Racks with Hanger Slots)

EAGLE GROUP

100 Industrial Boulevard, Clayton, DE 19938-8903 USA

Phone: 302-653-3000 • Fax: 302-653-2065

www.eaglegrp.com

Foodservice Division: Phone 800-441-8440

MHC/Retail Display Divisions: Phone 800-637-5100

For custom configuration or fabrication needs, contact our **SpecFAB®** Division.

Phone: 302-653-3000 • Fax: 302-653-3091 • e-mail: specfab@eaglegrp.com

Item No.:	_____
Project No.:	_____
S.I.S. No.:	_____

Wall Mounted Gowning Racks

MODELS:

- | | | |
|--------------------------------------|--------------------------------------|-------------------------------------|
| <input type="checkbox"/> EP2448-WGR | <input type="checkbox"/> EP1472-WGRH | <input type="checkbox"/> C1860-WGRT |
| <input type="checkbox"/> EP2460-WGR | <input type="checkbox"/> C1448-WGRH | <input type="checkbox"/> C1872-WGRT |
| <input type="checkbox"/> EP2472-WGR | <input type="checkbox"/> C1460-WGRH | <input type="checkbox"/> KB48-C |
| <input type="checkbox"/> C2448-WGR | <input type="checkbox"/> C1472-WGRH | <input type="checkbox"/> KB48-EP |
| <input type="checkbox"/> C2460-WGR | <input type="checkbox"/> S1848-WGRT | <input type="checkbox"/> KB60-C |
| <input type="checkbox"/> C2472-WGR | <input type="checkbox"/> S1860-WGRT | <input type="checkbox"/> KB60-EP |
| <input type="checkbox"/> EP1448-WGRH | <input type="checkbox"/> S1872-WGRT | <input type="checkbox"/> KB72-C |
| <input type="checkbox"/> EP1460-WGRH | <input type="checkbox"/> C1848-WGRT | <input type="checkbox"/> KB72-EP |

Design and Construction Features—all models

- Ideal for garment storage when floor space is not available.
- All units feature top wire shelf with patented QuadTruss® design (patent #5,390,803).
- Open-wire construction promotes laminar flow.
- Mounts easily to wall.

Racks with Hanger Slots

- Hanger bar constructed of heavy gauge type 304 stainless steel with hanger slots spaced on 2½" (64mm) centers.
- Available in chrome plated steel and electropolished stainless steel finish.
- Plastic shelf markers available.

Racks with Hooks

- Hooks, spaced on 1½" (38mm) centers, are staggered vertically for ease of access.
- All-welded construction.
- Available in chrome plated steel and electropolished stainless steel finish.

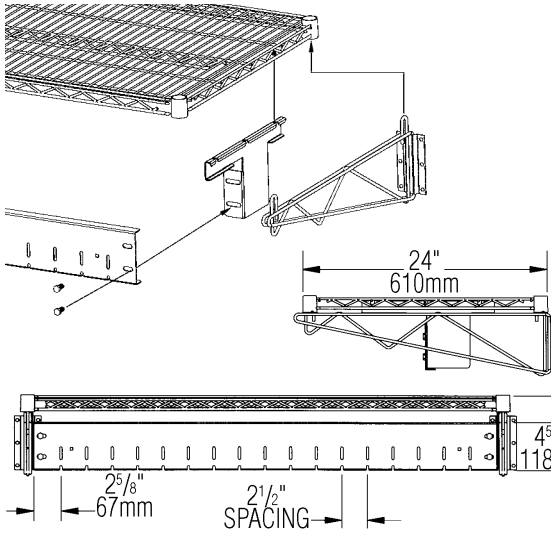
Racks with Hanger Tube

- 1" (25mm)-diameter full-length hanger tube, grooved at 1" (25mm) increments, is suspended on underside of wire shelf via two 2-gauge hooks, one on each end.
- Available in chrome plated and stainless steel finish.
- Plastic shelf markers available.



Item No.: _____
 Project No.: _____
 S.I.S. No.: _____

Wall Mounted Gowning Racks



Racks with Hanger Slots

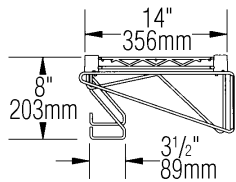
Hanger slots on 2 1/2" (64mm) centers. Optional hangers available.

electropolished model #	chrome model #	width in.	width mm	length in.	length mm	weight lbs.	weight kg	number of hanger slots
EP2448-WGR	C2448-WGR	24"	610	48"	1219	19	8.6	17
EP2460-WGR	C2460-WGR	24"	610	60"	1524	24	10.9	22
EP2472-WGR	C2472-WGR	24"	610	72"	1829	29	13.2	27

Optional keeper bars for above racks

Makes hangers non-removable.

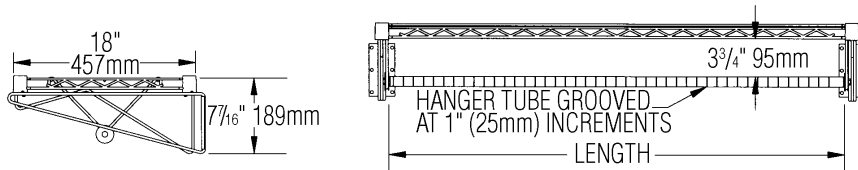
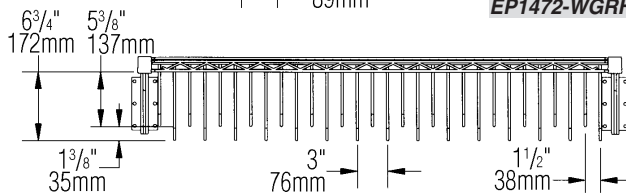
electropolished model #	chrome model #	length in.	length mm	number of hanger slots
KB48-EP	KB48-C	48"	1219	17
KB60-EP	KB70-C	60"	1524	22
KB72-EP	KB72-C	72"	1829	27



Racks with Hooks

All-welded construction. Hooks on 1 1/2" (38mm) centers.

electropolished model #	chrome model #	width in.	width mm	length in.	length mm	weight lbs.	weight kg	number of hooks
EP1448-WGRH	C1448-WGRH	14"	356	48"	1219	21	9.5	30
EP1460-WGRH	C1460-WGRH	14"	356	60"	1524	27	12.2	38
EP1472-WGRH	C1472-WGRH	14"	356	72"	1829	31	14.1	46



Racks with Hanger Tube

Replacement garment hanger tubes available.

stainless steel model #	chrome model #	width in.	width mm	length in.	length mm	weight lbs.	weight kg
S1848-WGRT	C1848-WGRT	18"	457	48"	1219	17	7.7
S1860-WGRT	C1860-WGRT	18"	457	60"	1524	22	10.0
S1872-WGRT	C1872-WGRT	18"	457	72"	1829	27	12.2

EAGLE GROUP
 100 Industrial Boulevard, Clayton, DE 19938-8903 USA
 Phone: 302-653-3000 • Fax: 302-653-2065
 www.eaglegrp.com

Foodservice Division: Phone 800-441-8440
 MHC/Retail Display Divisions: Phone 800-637-5100

Printed in U.S.A.
 ©2010 by Eagle Group
 Rev. 04/10

Spec sheets available for viewing, printing or downloading from our online literature library at www.eaglegrp.com

Although every attempt has been made to ensure the accuracy of the information provided, we cannot be held responsible for typographical or printing errors. Information and specifications are subject to change without notice. Please confirm at time of order.