

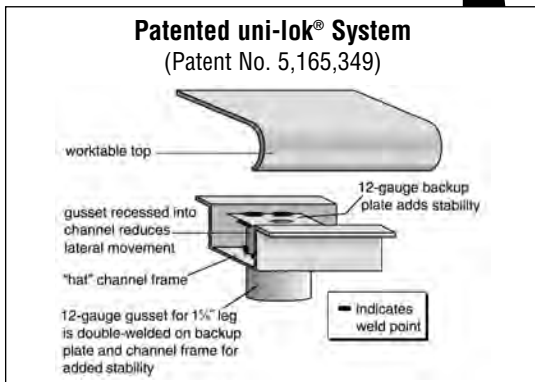


Profit from the Eagle Advantage®

Specification Sheet

Short Form Specifications

Perforated 14 gauge type 304 worksurface with #4 brushed stainless steel finish. Perforations are 3/8"-diameter on 1" centers. Available with 1 1/2" C-frame or H-frame tubular base, or with undershelf base. Uni-lok® gusset system. Stainless bullet feet adjustable to 1".



Options / Accessories

- Welded construction C-frame
- Welded construction H-frame

EAGLE GROUP

100 Industrial Boulevard
Clayton, DE 19938-8903 USA

Phone: 302-653-3000 • 800-441-8440

Fax: 302-653-2065

www.eaglegrp.com • www.eaglemhc.com

For custom configuration or fabrication needs, contact our SpecFAB® Division.

Phone: 302-653-3000 • Fax: 302-653-2065 • e-mail: quotes@eaglegrp.com

Item No.:	_____
Project No.:	_____
S.I.S. No.:	_____

Cleanroom Tables with Brushed Stainless Perforated Tabletop

MODELS:

- | | | |
|--------------------------------------|--------------------------------------|--------------------------------------|
| <input type="checkbox"/> CRPT2424T-* | <input type="checkbox"/> CRPT3030T-* | <input type="checkbox"/> CRPT3636T-* |
| <input type="checkbox"/> CRPT2436T-* | <input type="checkbox"/> CRPT3036T-* | <input type="checkbox"/> CRPT3648T-* |
| <input type="checkbox"/> CRPT2448T-* | <input type="checkbox"/> CRPT3048T-* | <input type="checkbox"/> CRPT3660T-* |
| <input type="checkbox"/> CRPT2460T-* | <input type="checkbox"/> CRPT3060T-* | <input type="checkbox"/> CRPT3672T-* |
| <input type="checkbox"/> CRPT2472T-* | <input type="checkbox"/> CRPT3072T-* | <input type="checkbox"/> CRPT3684T-* |
| <input type="checkbox"/> CRPT2484T-* | <input type="checkbox"/> CRPT3084T-* | <input type="checkbox"/> CRPT3696T-* |
| <input type="checkbox"/> CRPT2496T-* | <input type="checkbox"/> CRPT3096T-* | |

* See chart on back for complete model numbers.

Design and Construction Features

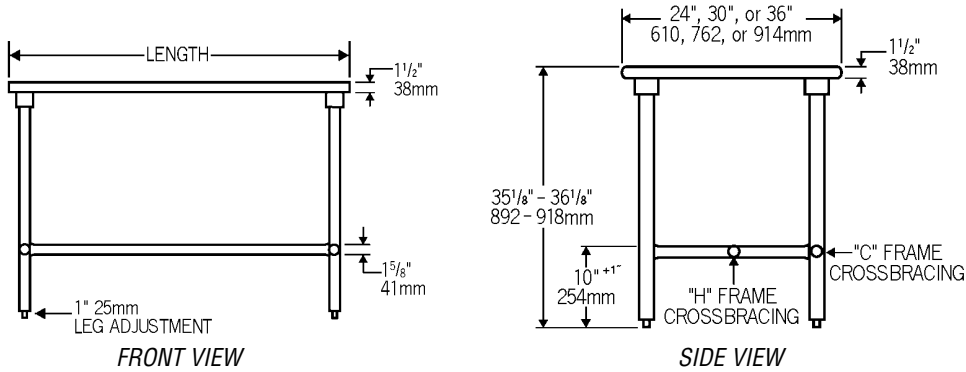
- Heavy gauge type 304 all stainless steel construction.
- Tops are 14 gauge brushed stainless steel, reinforced with heavy gauge hat channels. Alcohol-wiped and cleanroom bagged.
- 1 1/2" (38mm)-diameter, rolled down edges at front and rear.
- Ends turned down 90° at 1 1/2" (38mm) providing for flush installations when required.
- Base assembly incorporates the "strength by design" patented uni-lok® (patent #5,165,349) stainless steel gusset system which is welded into hat channel, reducing lateral movement.
- Legs and crossbracing are 16 gauge 1 1/2" (41mm)-diameter, with welded crossbracing front-to-back and choice of center or rear knocked-down crossbracing.
- Perforations are 3/8" (19mm)-diameter on 1" (25mm) centers to allow a minimum 40% laminar flow.
- Tables supplied with 1" (25mm) adjustable stainless steel bullet feet.
- All tables provided with stainless steel assembly hardware and are shipped knock-down.
- 35 1/2" overall height.
- Custom sizes available.

Spec sheets available for viewing, printing or downloading from our online literature library at www.eaglegrp.com



Item No.: _____
 Project No.: _____
 S.I.S. No.: _____

Cleanroom Tables with Brushed Stainless Perforated Tabletop



			width		length		weight	
...with C-Frame Base	...with H-Frame Base	...with Undersheff Base	in.	mm	in.	mm	lbs.	kg
CRPT2424T-C	CRPT2424T-H	CRPT2424T-US	24"	610	24"	610	30	13.6
CRPT2436T-C	CRPT2436T-H	CRPT2436T-US	24"	610	36"	914	40	18.1
CRPT2448T-C	CRPT2448T-H	CRPT2448T-US	24"	610	48"	1219	50	22.7
CRPT2460T-C	CRPT2460T-H	CRPT2460T-US	24"	610	60"	1524	58	26.3
CRPT2472T-C	CRPT2472T-H	CRPT2472T-US	24"	610	72"	1829	76	34.5
CRPT2484T-C	CRPT2484T-H	CRPT2484T-US	24"	610	84"	2134	80	36.3
CRPT2496T-C	CRPT2496T-H	CRPT2496T-US	24"	610	96"	2438	101	45.8
CRPT3030T-C	CRPT3030T-H	CRPT3030T-US	30"	762	30"	762	32	14.5
CRPT3036T-C	CRPT3036T-H	CRPT3036T-US	30"	762	36"	914	42	19.1
CRPT3048T-C	CRPT3048T-H	CRPT3048T-US	30"	762	48"	1219	55	24.9
CRPT3060T-C	CRPT3060T-H	CRPT3060T-US	30"	762	60"	1524	66	29.9
CRPT3072T-C	CRPT3072T-H	CRPT3072T-US	30"	762	72"	1829	79	35.8
CRPT3084T-C	CRPT3084T-H	CRPT3084T-US	30"	762	84"	2134	91	41.3
CRPT3096T-C	CRPT3096T-H	CRPT3096T-US	30"	762	96"	2438	112	50.8
CRPT3636T-C	CRPT3636T-H	CRPT3636T-US	36"	914	36"	914	50	22.7
CRPT3648T-C	CRPT3648T-H	CRPT3648T-US	36"	914	48"	1219	63	28.6
CRPT3660T-C	CRPT3660T-H	CRPT3660T-US	36"	914	60"	1524	75	34.0
CRPT3672T-C	CRPT3672T-H	CRPT3672T-US	36"	914	72"	1829	90	40.8
CRPT3684T-C	CRPT3684T-H	CRPT3684T-US	36"	914	84"	2134	106	48.1
CRPT3696T-C	CRPT3696T-H	CRPT3696T-US	36"	914	96"	2438	125	56.7

EAGLE GROUP
 100 Industrial Boulevard, Clayton, DE 19938-8903 USA
 Phone: 302-653-3000 or 800-441-8440 • Fax: 302-653-2065
 www.eaglegrp.com • www.eaglehmc.com

Printed in U.S.A.
 ©2021 by Eagle Group
 Rev. 05/21

Spec sheets available for viewing, printing or downloading from our online literature library at www.eaglegrp.com

Although every attempt has been made to ensure the accuracy of the information provided, we cannot be held responsible for typographical or printing errors. Information and specifications are subject to change without notice. Please confirm at time of order.