



Profit from the Eagle Advantage®

Specification Sheet

Short Form Specifications

All stainless steel type 304 tables. Adjustable height from 29" to 40" (add 1" for standard tabletop). 2" square legs with leveling mounts. Heavy gauge corner angles are welded to the legs and tapped for bolting on 5" high aprons. 22"- or 28"-deep frame assemblies (add 2" for tabletop). Units with stainless top provided with a 16 gauge 304 stainless flat top with support channels. Synchronized electro-mechanical drive in each leg provides for height adjustment. Maximum table load is 900 lbs. with a lifting speed of 0.375 inches/second. Electronic controller features lockout and programmable minimum and maximum heights. Designed and tested to the SEFA 8 Metal Casework recommended practices.



#SSC-AHTTM-3048
unit with tabletop

Item No.: _____
Project No.: _____
S.I.S. No.: _____

Electronic Drive Adjustable Height Tables

MODELS:

- SSC-AHTM-2424
- SSC-AHTM-2430
- SSC-AHTM-2436
- SSC-AHTM-2448
- SSC-AHTM-2460
- SSC-AHTM-2472
- SSC-AHTM-3030
- SSC-AHTM-3036
- SSC-AHTM-3048
- SSC-AHTM-3060
- SSC-AHTM-3072
- SSC-AHTTM-2424
- SSC-AHTTM-2430
- SSC-AHTTM-2436
- SSC-AHTTM-2448
- SSC-AHTTM-2460
- SSC-AHTTM-2472
- SSC-AHTTM-3030
- SSC-AHTTM-3036
- SSC-AHTTM-3048
- SSC-AHTTM-3060
- SSC-AHTTM-3072

Design and Construction Features

- Type 304 stainless steel construction.
- Full-height 2" (51mm)-square tubular legs, with leveling mount mounts.
- Legs feature #4 stainless steel brushed finish.
- Frame assemblies adjust from 29" to 40" (737 to 1016mm) height. Add 1" (25mm) for standard tabletop.
- 22" (559mm) depth. Add 2" (51mm) for standard tabletop.
- 5" (127mm)-high apron on all four sides.
- Tabletops (for units with tops) include...
 - 16 gauge stainless steel
 - Support channels with sound-deadening tape
 - Flat top with 1" (25mm) square edge on all four sides

Options / Accessories

- Phenolic or epoxy resin tops
- Custom sizes
- Drawers
- Casters

Certifications / Approvals



SEFA 8 Metal Casework

EAGLE GROUP

100 Industrial Boulevard
Clayton, DE 19938-8903 USA

Phone: 302-653-3000 • 800-441-8440

Fax: 302-653-2065

www.eaglegrp.com • www.eaglemhc.com

For custom configuration or fabrication needs, contact our SpecFAB® Division.

Phone: 302-653-3000 • Fax: 302-653-2065 • e-mail: quotes@eaglegrp.com

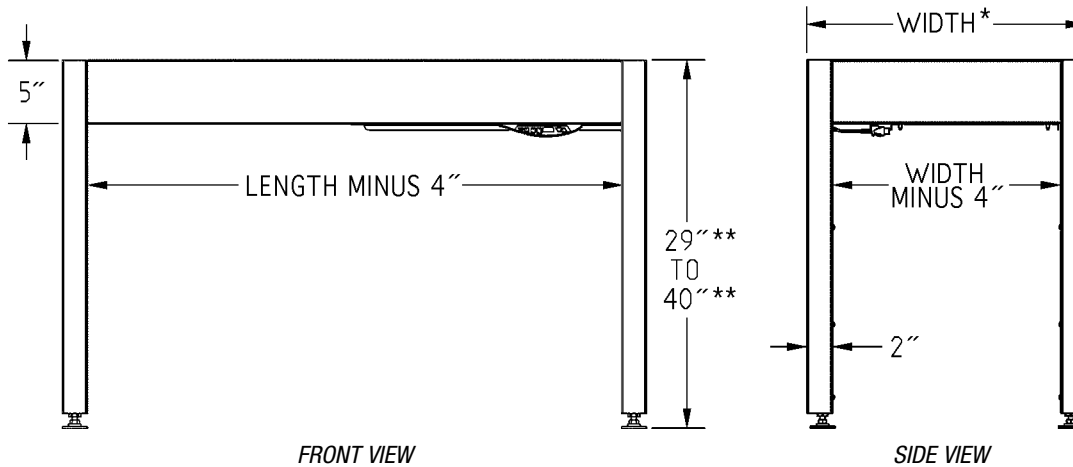
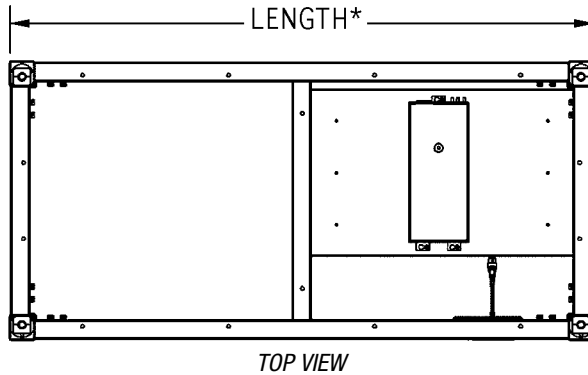
EG03.54 Rev. 05/22

Spec sheets available for viewing, printing or downloading from our online literature library at www.eaglegrp.com

Eagle Foodservice Equipment, Eagle MHC, and SpecFAB® are divisions of Eagle Group. ©2022 by the Eagle Group

Item No.: _____
Project No.: _____
S.I.S. No.: _____

Electronic Drive Adjustable Height Tables



* - FOR TABLETOP DIMENSIONS, ADD 2"

** - FOR HEIGHTS INCLUDING TABLETOP, ADD 1"

Frame Assemblies Only

width		length		model #
in	mm	in	mm	
22"	559	22"	559	SSC-AHTM-2424
22"	559	28"	711	SSC-AHTM-2430
22"	559	34"	864	SSC-AHTM-2436
22"	559	46"	1168	SSC-AHTM-2448
22"	559	58"	1473	SSC-AHTM-2460
22"	559	70"	1778	SSC-AHTM-2472
28"	711	28"	711	SSC-AHTM-3030
28"	711	34"	864	SSC-AHTM-3036
28"	711	46"	1168	SSC-AHTM-3048
28"	711	58"	1473	SSC-AHTM-3060
28"	711	70"	1778	SSC-AHTM-3072

Units with Stainless Steel Tabletops

width		length		model #
in	mm	in	mm	
24"	610	24"	610	SSC-AHTTM-2424
24"	610	30"	762	SSC-AHTTM-2430
24"	610	36"	914	SSC-AHTTM-2436
24"	610	48"	1219	SSC-AHTTM-2448
24"	610	60"	1524	SSC-AHTTM-2460
24"	610	72"	1829	SSC-AHTTM-2472
30"	762	30"	762	SSC-AHTTM-3030
30"	762	36"	914	SSC-AHTTM-3036
30"	762	48"	1219	SSC-AHTTM-3048
30"	762	60"	1524	SSC-AHTTM-3060
30"	762	72"	1829	SSC-AHTTM-3072

EAGLE GROUP

100 Industrial Boulevard, Clayton, DE 19938-8903 USA

Phone: 302-653-3000 or 800-441-8440 • Fax: 302-653-2065

www.eaglegrp.com • www.eaglehmc.com

Printed in U.S.A.
©2022 by Eagle Group

Rev. 05/22

Spec sheets available for viewing, printing or downloading from our online literature library at www.eaglegrp.com

Although every attempt has been made to ensure the accuracy of the information provided, we cannot be held responsible for typographical or printing errors. Information and specifications are subject to change without notice. Please confirm at time of order.