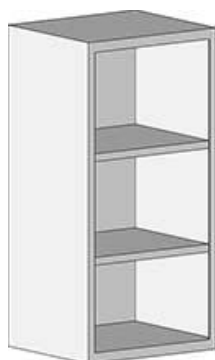


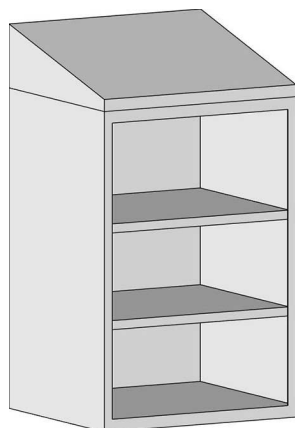
Specification Sheet

Short Form Specifications

All stainless steel type 304 enclosed cabinet. 13"- or 16"-deep. Flat top units are 31"-high, sloped top units are 36"-high. Widths range from 18" to 48". Removable back panel. Two adjustable shelves. Designed and tested to the SEFA 8 Metal Casework recommended practices.



with flat top



with sloped top

Item No.:	_____
Project No.:	_____
S.I.S. No.:	_____

Upper Cabinets— Open Wall Cases

MODELS:

- | | |
|--|--|
| <input type="checkbox"/> <i>SSC-WCO-1318</i> | <input type="checkbox"/> <i>SSC-WCOST-1318</i> |
| <input type="checkbox"/> <i>SSC-WCO-1324</i> | <input type="checkbox"/> <i>SSC-WCOST-1324</i> |
| <input type="checkbox"/> <i>SSC-WCO-1330</i> | <input type="checkbox"/> <i>SSC-WCOST-1330</i> |
| <input type="checkbox"/> <i>SSC-WCO-1336</i> | <input type="checkbox"/> <i>SSC-WCOST-1336</i> |
| <input type="checkbox"/> <i>SSC-WCO-1348</i> | <input type="checkbox"/> <i>SSC-WCOST-1348</i> |
| <input type="checkbox"/> <i>SSC-WCO-1618</i> | <input type="checkbox"/> <i>SSC-WCOST-1618</i> |
| <input type="checkbox"/> <i>SSC-WCO-1624</i> | <input type="checkbox"/> <i>SSC-WCOST-1624</i> |
| <input type="checkbox"/> <i>SSC-WCO-1630</i> | <input type="checkbox"/> <i>SSC-WCOST-1630</i> |
| <input type="checkbox"/> <i>SSC-WCO-1636</i> | <input type="checkbox"/> <i>SSC-WCOST-1636</i> |
| <input type="checkbox"/> <i>SSC-WCO-1648</i> | <input type="checkbox"/> <i>SSC-WCOST-1648</i> |

Design and Construction Features

- Type 304 stainless steel construction.
- Two intermediate shelves, adjustable on 1½" (38mm) increments.
- Available with 13" or 16" (330 or 406mm) depth.
- Widths range from 18" to 48" (457 to 1219mm).
- Units with flat top are 31" (889mm) high.
- Units with sloped top are 36" (914mm) high.

Options / Accessories

- Additional shelves
- Custom sizes

EAGLE GROUP

100 Industrial Boulevard
Clayton, DE 19938-8903 USA

Phone: 302-653-3000 • 800-441-8440

Fax: 302-653-2065

www.eaglegrp.com • www.eaglemh.com

For custom configuration or fabrication needs, contact our **SpecFAB®** Division.

Phone: 302-653-3000 • Fax: 302-653-2065 • e-mail: quotes@eaglegrp.com

Certifications / Approvals



SEFA 8 Metal Casework

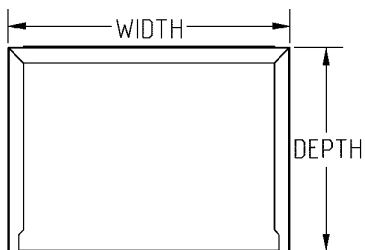
EG03.30 Rev. 11/21

Spec sheets available for viewing, printing or downloading from our online literature library at www.eaglegrp.com

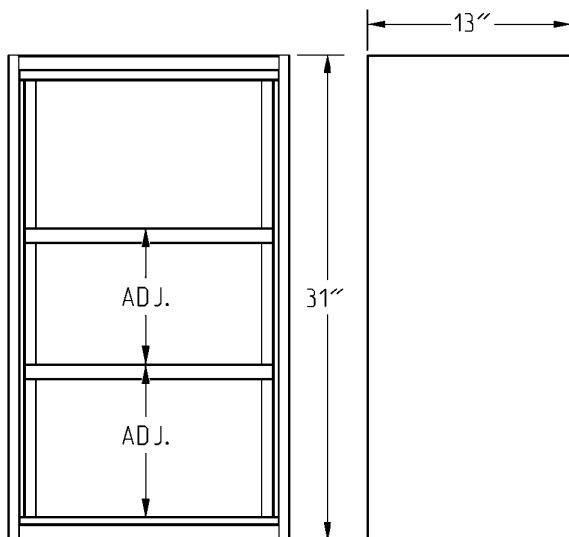
Item No.: _____
 Project No.: _____
 S.I.S. No.: _____

Upper Cabinets—Open Wall Cases

Units with Flat Top



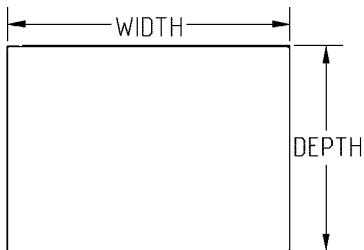
TOP VIEW



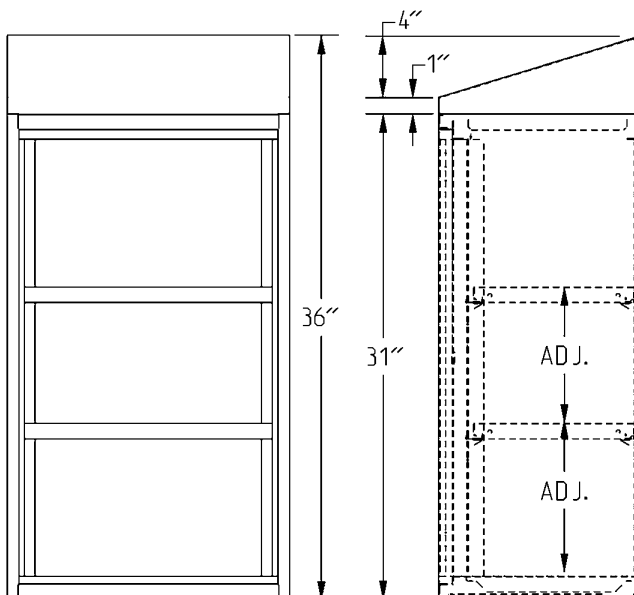
FRONT VIEW

SIDE VIEW

Units with Sloped Top



TOP VIEW



FRONT VIEW

SIDE VIEW

		with Flat Top				with Sloped Top			
depth		width		weight		weight		model #	
in	mm	in	mm	lbs.	kg	lbs.	kg	model #	
13"	330	18"	457	117	53.1	132	59.9	SSC-WCO-1318	SSC-WCOST-1318
13"	330	24"	610	123	55.8	138	62.6	SSC-WCO-1324	SSC-WCOST-1324
13"	330	30"	762	129	58.5	144	65.3	SSC-WCO-1330	SSC-WCOST-1330
13"	330	36"	914	141	63.9	156	70.7	SSC-WCO-1336	SSC-WCOST-1336
13"	330	48"	1218	165	74.8	180	81.6	SSC-WCO-1348	SSC-WCOST-1348
16"	406	18"	457	122	55.3	137	62.1	SSC-WCO-1618	SSC-WCOST-1618
16"	406	24"	610	128	58.0	143	64.9	SSC-WCO-1624	SSC-WCOST-1624
16"	406	30"	762	134	60.8	149	67.6	SSC-WCO-1630	SSC-WCOST-1630
16"	406	36"	914	146	66.2	161	73.0	SSC-WCO-1636	SSC-WCOST-1636
16"	406	48"	1219	170	77.1	185	83.9	SSC-WCO-1648	SSC-WCOST-1648

EAGLE GROUP

100 Industrial Boulevard, Clayton, DE 19938-8903 USA

Phone: 302-653-3000 or 800-441-8440 • Fax: 302-653-2065

www.eaglegrp.com • www.eaglemhc.com

Printed in U.S.A.
 ©2021 by Eagle Group

Rev. 11/21

Spec sheets available for viewing, printing or downloading from our online literature library at www.eaglegrp.com

Although every attempt has been made to ensure the accuracy of the information provided, we cannot be held responsible for typographical or printing errors. Information and specifications are subject to change without notice. Please confirm at time of order.