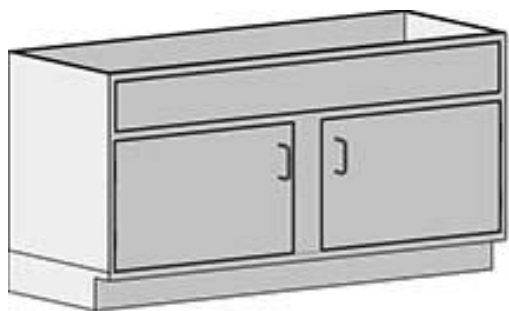


Specification Sheet

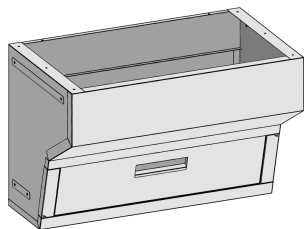
Short Form Specifications

Sitting Height Sink Base Cabinets: All stainless steel 304 enclosed cabinet. 22"-deep. 29 $\frac{1}{2}$ " height. Cabinet widths range from 18" to 58". Inset construction with double-panel doors mounted with five-knuckle hinges and roller catch, 4" wire pulls, leveling feet, 4" toe kick. Designed and tested to the SEFA 8 Metal Casework recommended practices.

Angled Sink Bases: Designed for ADA compliance, all stainless steel 304 construction, sink bases adjoin to other freestanding cabinetry. Widths range from 24" to 48". Removable panel with recessed handle.



#SSC-SSB-56
freestanding sink base



#SSC-SSBA-36
angled sink base

Sitting Height Base Cabinets— Freestanding Sink Bases and Angled Sink Bases

MODELS:

- | | |
|---|---|
| <input type="checkbox"/> SSC-SSBL-18 | <input type="checkbox"/> SSC-SSB-56 |
| <input type="checkbox"/> SSC-SSBR-18 | <input type="checkbox"/> SSC-SSB-58 |
| <input type="checkbox"/> SSC-SSBL-24 | <input type="checkbox"/> SSC-SSBA-24 |
| <input type="checkbox"/> SSC-SSBR-24 | <input type="checkbox"/> SSC-SSBA-30 |
| <input type="checkbox"/> SSC-SSB-30 | <input type="checkbox"/> SSC-SSBA-36 |
| <input type="checkbox"/> SSC-SSB-36 | <input type="checkbox"/> SSC-SSBA-48 |
| <input type="checkbox"/> SSC-SSB-48 | |

Freestanding Sink Bases

- Type 304 stainless steel construction.
- All units are 22" (559mm) front-to-back and 29 $\frac{1}{2}$ " (740mm) height.
- Open at rear, with partial height back panel, to allow for plumbing access.
- Left- or right-swing door, or double doors.
- Five-knuckle hinges.
- Doors feature wire pull handles.
- 4" (102mm)-high toe kick.
- Custom sizes available.

Angled Sink Bases

- Type 304 stainless steel construction.
- All units are 22" (559mm) front-to-back.
- These units adjoin side-by-side to other Sitting Height Base Cabinets.
- Open at rear, with partial height back panel, to allow for plumbing access.
- Removable front service panel with recessed handle.
- ADA-compliant.

EAGLE GROUP

100 Industrial Boulevard
Clayton, DE 19938-8903 USA

Phone: 302-653-3000 • 800-441-8440

Fax: 302-653-2065

www.eaglegrp.com • www.eaglemh.com

For custom configuration or fabrication needs, contact our **SpecFAB®** Division.

Phone: 302-653-3000 • Fax: 302-653-2065 • e-mail: quotes@eaglegrp.com

Certifications / Approvals



SEFA 8 Metal Casework

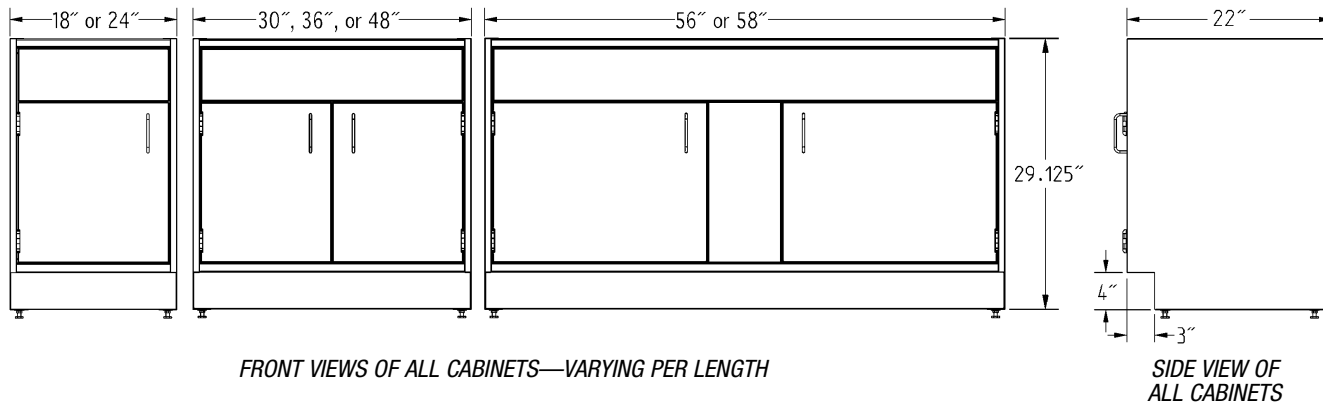
EG03.13 Rev. 11/21

Spec sheets available for viewing, printing or downloading from our online literature library at www.eaglegrp.com

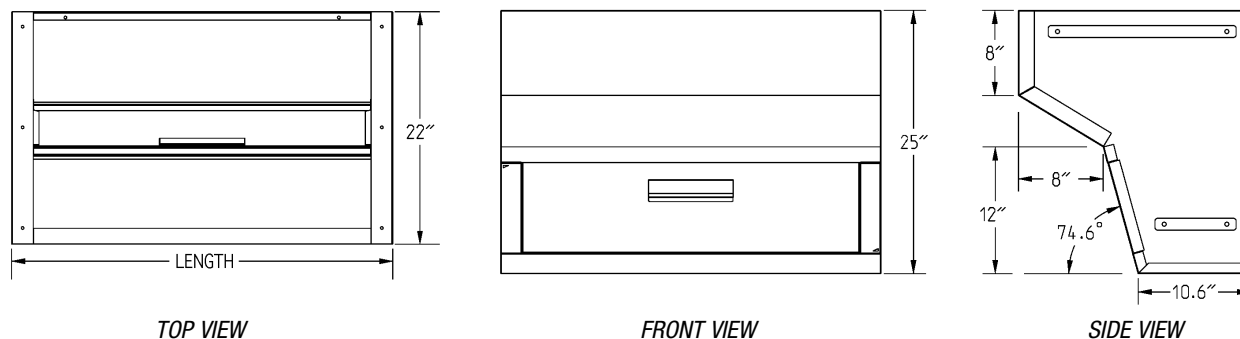
Item No.: _____
 Project No.: _____
 S.I.S. No.: _____

Sitting Height Base Cabinets...

Freestanding Sink Bases



Angled Sink Bases



Freestanding Sink Bases

depth		width		description	weight		model #
in	mm	in	mm		lbs.	kg	
22"	559	18"	457	left swing door	97	44.0	SSC-SSBL-18
22"	559	18"	457	right swing door	97	44.0	SSC-SSBR-18
22"	559	24"	610	left swing door	122	55.3	SSC-SSBL-24
22"	559	24"	610	right swing door	122	55.3	SSC-SSBR-24
22"	559	30"	762	double doors	172	78.0	SSC-SSB-30
22"	559	36"	914	double doors	181	82.1	SSC-SSB-36
22"	559	48"	1219	double doors	197	89.4	SSC-SSB-48
22"	559	56"	1524	double doors	217	98.4	SSC-SSB-56
22"	559	58"	1473	double doors	220	99.8	SSC-SSB-58

Angled Sink Bases

depth		width		weight	model #	
in	mm	in	mm			lbs.
22"	559	24"	610	49	22.2	SSC-SSBA-24
22"	559	30"	762	52	23.6	SSC-SSBA-30
22"	559	36"	914	56	25.4	SSC-SSBA-36
22"	559	48"	1219	65	29.5	SSC-SSBA-48

EAGLE GROUP

100 Industrial Boulevard, Clayton, DE 19938-8903 USA
 Phone: 302-653-3000 or 800-441-8440 • Fax: 302-653-2065
 www.eaglegrp.com • www.eaglehmc.com

Printed in U.S.A.
 ©2021 by Eagle Group

Rev. 11/21

Spec sheets available for viewing, printing or downloading from our online literature library at www.eaglegrp.com

Although every attempt has been made to ensure the accuracy of the information provided, we cannot be held responsible for typographical or printing errors. Information and specifications are subject to change without notice. Please confirm at time of order.