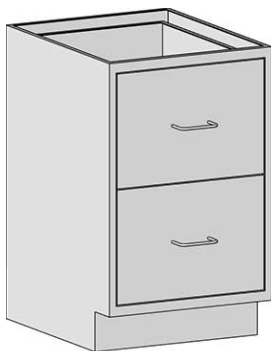


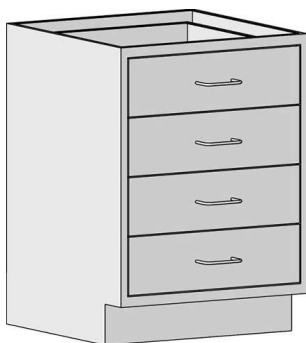
## Specification Sheet

### Short Form Specifications

All stainless steel type 304 enclosed cabinet. 22"-deep. 29 $\frac{1}{2}$ " height. Widths offered in 18" and 24". Cabinets available with two 12"-high drawers or four 6"-high drawers. Inset construction, double-panel drawer face, full-extension ball bearing drawer slides, leveling feet, 4" toe kick, removable back panel. Designed and tested to the SEFA 8 Metal Casework recommended practices.



#SSC-SDB12-18



#SSC-SDB6-24

## Sitting Height Base Cabinets with Drawers

### MODELS:

- SSC-SDB12-18
- SSC-SDB12-24
- SSC-SDB6-18
- SSC-SDB6-24

### Design and Construction Features

- Type 304 stainless steel construction.
- All units are 22" (559mm) front-to-back and 29 $\frac{1}{2}$ " (740mm) height.
- Available with two 12" (305mm)-high drawers or with four 6" (152mm)-high drawers.
- Full drawers with wire pull handles.
- 4" (102mm)-high toe kick.
- Inset construction with double-panel drawer face.
- Full-extension ball bearing slides.
- Leveling feet accessible from inside the cabinet.
- Removable back panel.

### Options / Accessories

- Drawer locks
- Soft-close drawer slides
- Custom drawer pulls
- Custom sizes

### EAGLE GROUP

100 Industrial Boulevard  
Clayton, DE 19938-8903 USA

Phone: 302-653-3000 • 800-441-8440

Fax: 302-653-2065

[www.eaglegrp.com](http://www.eaglegrp.com) • [www.eaglemhc.com](http://www.eaglemhc.com)

For custom configuration or fabrication needs, contact our **SpecFAB®** Division.

Phone: 302-653-3000 • Fax: 302-653-2065 • e-mail: [quotes@eaglegrp.com](mailto:quotes@eaglegrp.com)

### Certifications / Approvals



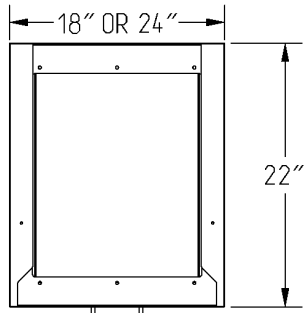
SEFA 8 Metal Casework

EG03.11 Rev. 11/21

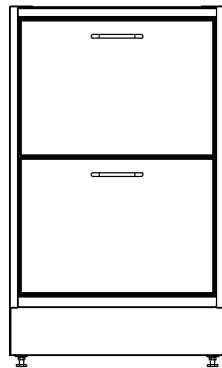
Spec sheets available for viewing, printing or downloading from our online literature library at [www.eaglegrp.com](http://www.eaglegrp.com)

Item No.: \_\_\_\_\_  
 Project No.: \_\_\_\_\_  
 S.I.S. No.: \_\_\_\_\_

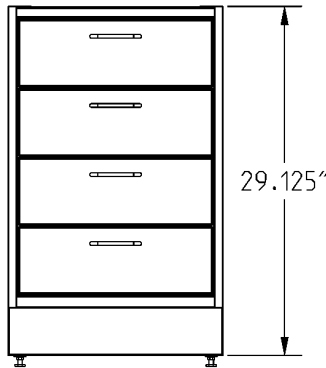
## Sitting Height Base Cabinets with Drawers



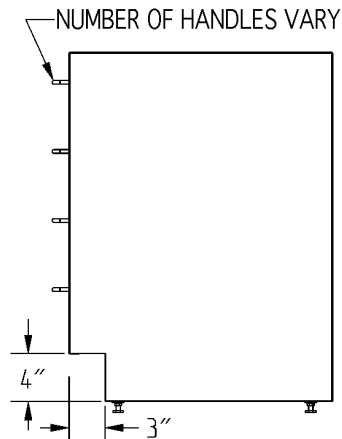
TOP VIEW OF ALL CABINETS



#SDB12



#SDB6



SIDE VIEW OF ALL UNITS

FRONT VIEWS

| depth |     | width |     | with Two<br>12" (305mm) Drawers |      |                     | with Four<br>6" (152mm) Drawers |      |                    |
|-------|-----|-------|-----|---------------------------------|------|---------------------|---------------------------------|------|--------------------|
| in    | mm  | in    | mm  | lbs.                            | kg   | model #             | lbs.                            | kg   | model #            |
| 22"   | 559 | 18"   | 457 | 134                             | 60.8 | <b>SSC-SDB12-18</b> | 142                             | 64.4 | <b>SSC-SDB6-18</b> |
| 22"   | 559 | 24"   | 610 | 159                             | 72.1 | <b>SSC-SDB12-24</b> | 167                             | 75.7 | <b>SSC-SDB6-24</b> |

**EAGLE GROUP**

100 Industrial Boulevard, Clayton, DE 19938-8903 USA  
 Phone: 302-653-3000 or 800-441-8440 • Fax: 302-653-2065  
 www.eaglegrp.com • www.eaglemhc.com

Printed in U.S.A.  
 ©2021 by Eagle Group  
 Rev. 11/21

Spec sheets available for viewing, printing or downloading from our online literature library at [www.eaglegrp.com](http://www.eaglegrp.com)

Although every attempt has been made to ensure the accuracy of the information provided, we cannot be held responsible for typographical or printing errors. Information and specifications are subject to change without notice. Please confirm at time of order.