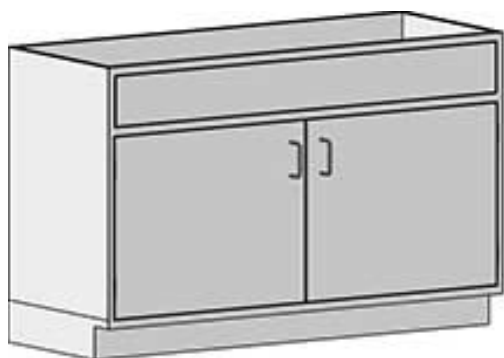


## Specification Sheet

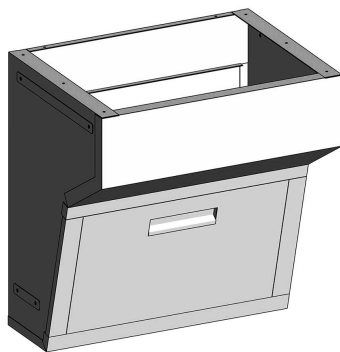
### Short Form Specifications

**Standing Height Sink Base Cabinets:** All stainless steel type 304 enclosed cabinet. 22" deep. 35" height. Cabinet widths range from 18" to 58". Inset construction with double-panel doors and mounted with five-knuckle hinges and roller catch, 4" wire pulls, leveling feet, 4" toe kick. Designed and tested to the SEFA 8 Metal Casework recommended practices.

**Angled Sink Bases:** Designed for ADA compliance, all stainless steel type 304 construction, sink bases adjoin to other freestanding cabinetry. Widths range from 24" to 48". Removable panel with recessed handle.



#SSC-HSB-56  
freestanding sink base



#SSC-HSBA-36  
angled sink base

### EAGLE GROUP

100 Industrial Boulevard  
Clayton, DE 19938-8903 USA

Phone: 302-653-3000 • 800-441-8440

Fax: 302-653-2065

www.eaglegrp.com • www.eaglemh.com

For custom configuration or fabrication needs, contact our **SpecFAB® Division**.

Phone: 302-653-3000 • Fax: 302-653-2065 • e-mail: quotes@eaglegrp.com

Item No.: \_\_\_\_\_  
Project No.: \_\_\_\_\_  
S.I.S. No.: \_\_\_\_\_

## Standing Height Base Cabinets— Freestanding Sink Bases and Angled Sink Bases

### MODELS:

- |   |   |
|---|---|
| <input type="checkbox"/> <b>SSC-HSBL-18</b> | <input type="checkbox"/> <b>SSC-HSB-56</b>  |
| <input type="checkbox"/> <b>SSC-HSBR-18</b> | <input type="checkbox"/> <b>SSC-HSB-58</b>  |
| <input type="checkbox"/> <b>SSC-HSBL-24</b> | <input type="checkbox"/> <b>SSC-HSBA-24</b> |
| <input type="checkbox"/> <b>SSC-HSBR-24</b> | <input type="checkbox"/> <b>SSC-HSBA-30</b> |
| <input type="checkbox"/> <b>SSC-HSB-30</b>  | <input type="checkbox"/> <b>SSC-HSBA-36</b> |
| <input type="checkbox"/> <b>SSC-HSB-36</b>  | <input type="checkbox"/> <b>SSC-HSBA-48</b> |
| <input type="checkbox"/> <b>SSC-HSB-48</b>  |   |

### Freestanding Sink Bases

- Type 304 stainless steel construction.
- All units are 22" (559mm) front-to-back and 35" (889mm) height.
- Open at rear, with partial height back panel, to allow for plumbing access.
- Left or right swing door, or double doors.
- Five-knuckle hinges.
- Doors feature wire pull handles.
- 4" (102mm)-high toe kick.
- Custom sizes available.

### Angled Sink Bases

- Type 304 stainless steel construction.
- All units are 22" (559mm) front-to-back.
- These units adjoin side-by-side to other Standing Height Base Cabinets.
- Open at rear, with partial height back panel, to allow for plumbing access.
- Removable front service panel with recessed handle.
- ADA-compliant.

### Certifications / Approvals

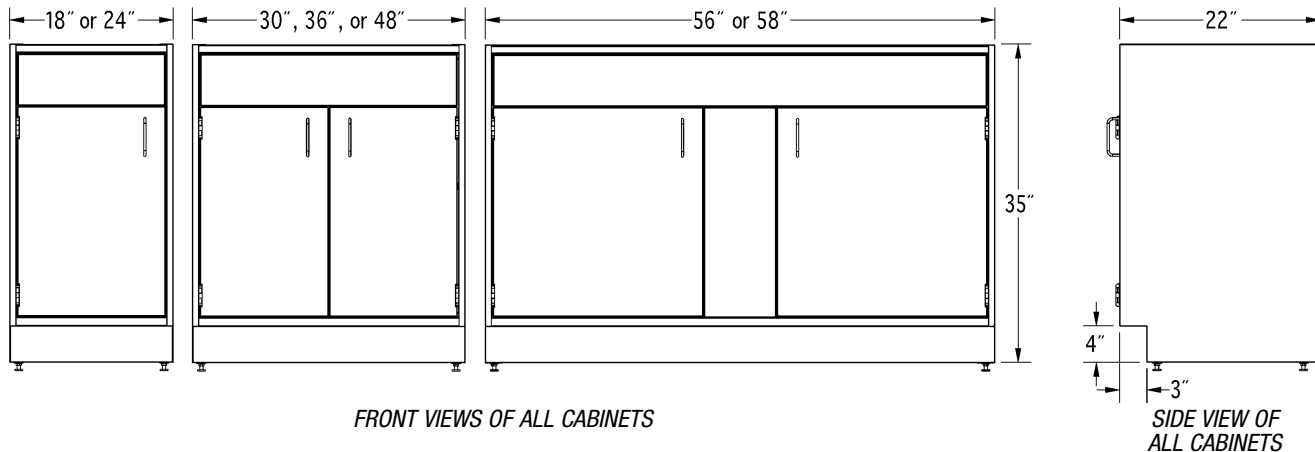


SEFA 8 Metal Casework

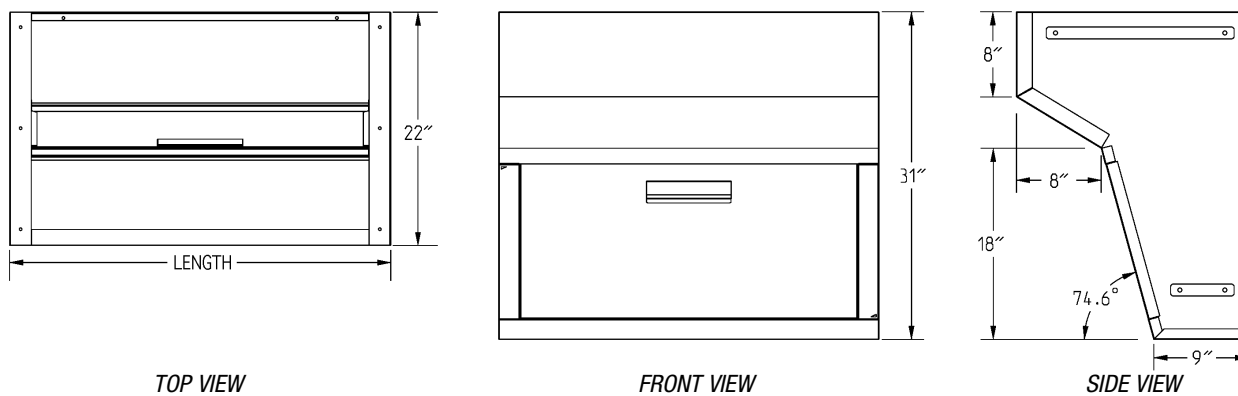
Item No.: \_\_\_\_\_  
 Project No.: \_\_\_\_\_  
 S.I.S. No.: \_\_\_\_\_

# Standing Height Base Cabinets...

## Freestanding Sink Bases



## Angled Sink Bases



### Freestanding Sink Bases

depth		width		description	weight		model #
in	mm	in	mm		lbs.	kg	
22"	559	18"	457	left swing door	99	44.9	<b>SSC-HSBL-18</b>
22"	559	18"	457	right swing door	99	44.9	<b>SSC-HSBR-18</b>
22"	559	24"	610	left swing door	124	56.2	<b>SSC-HSBL-24</b>
22"	559	24"	610	right swing door	124	56.2	<b>SSC-HSBR-24</b>
22"	559	30"	762	double doors	174	78.9	<b>SSC-HSB-30</b>
22"	559	36"	914	double doors	183	83.0	<b>SSC-HSB-36</b>
22"	559	48"	1219	double doors	199	90.3	<b>SSC-HSB-48</b>
22"	559	56"	1524	double doors	219	99.3	<b>SSC-HSB-56</b>
22"	559	58"	1473	double doors	222	100.7	<b>SSC-HSB-58</b>

### Angled Sink Bases

depth		width		weight		model #
in	mm	in	mm	lbs.	kg	
22"	559	24"	610	53	24.0	<b>SSC-HSBA-24</b>
22"	559	30"	762	56	25.4	<b>SSC-HSBA-30</b>
22"	559	36"	914	62	28.2	<b>SSC-HSBA-36</b>
22"	559	48"	1219	75	34.0	<b>SSC-HSBA-48</b>

### EAGLE GROUP

100 Industrial Boulevard, Clayton, DE 19938-8903 USA  
 Phone: 302-653-3000 or 800-441-8440 • Fax: 302-653-2065  
 www.eaglegrp.com • www.eaglehmc.com

Printed in U.S.A.  
 ©2021 by Eagle Group  
 Rev. 11/21

Spec sheets available for viewing, printing or downloading from our online literature library at [www.eaglegrp.com](http://www.eaglegrp.com)

Although every attempt has been made to ensure the accuracy of the information provided, we cannot be held responsible for typographical or printing errors. Information and specifications are subject to change without notice. Please confirm at time of order.