



Profit from the Eagle Advantage®

# Specification Sheet

## Short Form Specifications

Eagle Q-LEVER® Cantilever Add-On Shelving, model \_\_\_\_\_, 4-Tier add-on units feature one 76"-high upright and all-wire shelves. Maximum accessibility and productivity. No wall bolting required. Upright utilizes adjustment in 2" increments without the use of tools. Shelves offered with Valu-Master® gray or Valu-Gard® green epoxy finish. Valu-Master® gray epoxy on upright.



### Options / Accessories

- Wall Grids
- Hanger Rails
- Supply Bins
- Storage Baskets
- 36", 56", 66", or 86" optional height.

### EAGLE GROUP

100 Industrial Boulevard  
Clayton, DE 19938-8903 USA

Phone: 302-653-3000 • 800-441-8440

Fax: 302-653-2065

www.eaglegrp.com • www.eaglemhc.com

For custom configuration or fabrication needs, contact our SpecFAB® Division.

Phone: 302-653-3000 • Fax: 302-653-2065 • e-mail: quotes@eaglegrp.com

Item No.: \_\_\_\_\_  
 Project No.: \_\_\_\_\_  
 S.I.S. No.: \_\_\_\_\_

## Q-LEVER® Cantilever Shelving— 4-Tier Add-On Units with Wire Shelves, 76" Height

### MODELS:

- |                                 |                                 |                                 |                                 |
|---------------------------------|---------------------------------|---------------------------------|---------------------------------|
| <input type="checkbox"/> Q1824* | <input type="checkbox"/> Q2124* | <input type="checkbox"/> Q2424* | <input type="checkbox"/> Q3030* |
| <input type="checkbox"/> Q1830* | <input type="checkbox"/> Q2130* | <input type="checkbox"/> Q2430* | <input type="checkbox"/> Q3036* |
| <input type="checkbox"/> Q1836* | <input type="checkbox"/> Q2136* | <input type="checkbox"/> Q2436* | <input type="checkbox"/> Q3042* |
| <input type="checkbox"/> Q1842* | <input type="checkbox"/> Q2142* | <input type="checkbox"/> Q2442* | <input type="checkbox"/> Q3048* |
| <input type="checkbox"/> Q1848* | <input type="checkbox"/> Q2148* | <input type="checkbox"/> Q2448* | <input type="checkbox"/> Q3054* |
| <input type="checkbox"/> Q1854* | <input type="checkbox"/> Q2154* | <input type="checkbox"/> Q2454* | <input type="checkbox"/> Q3060* |
| <input type="checkbox"/> Q1860* | <input type="checkbox"/> Q2160* | <input type="checkbox"/> Q2460* | <input type="checkbox"/> Q3066* |
| <input type="checkbox"/> Q1866* | <input type="checkbox"/> Q2166* | <input type="checkbox"/> Q2466* | <input type="checkbox"/> Q3072* |
| <input type="checkbox"/> Q1872* | <input type="checkbox"/> Q2172* | <input type="checkbox"/> Q2472* |                                 |

\* See charts on back page for complete model numbers.

### Design & Construction Features

- Includes one 76" upright, two braces, four wire shelves, three pairs of brackets, X-brace assembly, and hardware.
- Cantilevered design improves accessibility and productivity.
- Wall bolting not required.
- Upright utilizes 2" adjustment for shelf and accessory spacing.
- Shelves and accessories can be easily adjusted without tools
- Shelves can be added to the left or right of an existing unit.
- Sizing available:
  - Widths: 18"; 21"; 24"; 30"
  - Lengths: 24"; 30"; 36"; 42"; 48"; 54"; 60"
  - Height (standard): 76"
- Choice of Valu-Master® gray or Valu-Gard® green epoxy finish on the shelves.
- Valu-Master® gray epoxy finish on upright.

### Certifications / Approvals



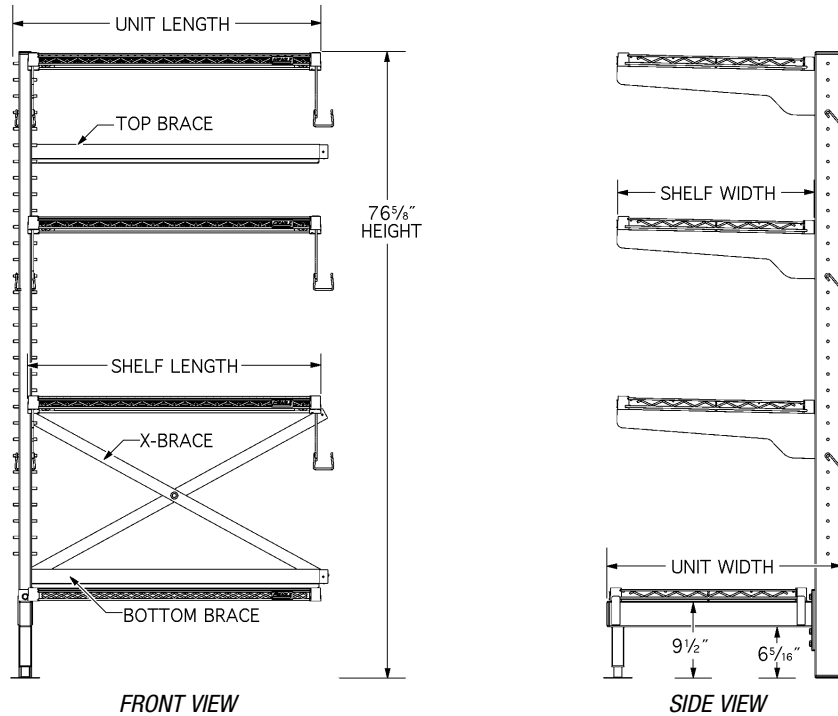
AutoQuotes





Item No.: \_\_\_\_\_  
 Project No.: \_\_\_\_\_  
 S.I.S. No.: \_\_\_\_\_

## Q-LEVER® Shelving—4-Tier Add-Ons with Wire Shelves, 76" Height



| shelf length<br>in. mm                                   | unit** length<br>in. mm | ...WITH 18" (457mm)-<br>WIDE SHELVES * |         | ...WITH 21" (533mm)-<br>WIDE SHELVES * |         | ...WITH 24" (610mm)-<br>WIDE SHELVES * |         | ...WITH 30" (762mm)-<br>WIDE SHELVES * |              |     |    |              |     |     |              |
|----------------------------------------------------------|-------------------------|----------------------------------------|---------|----------------------------------------|---------|----------------------------------------|---------|----------------------------------------|--------------|-----|----|--------------|-----|-----|--------------|
|                                                          |                         | weight<br>lbs. kg                      | model # | weight<br>lbs. kg                      | model # | weight<br>lbs. kg                      | model # | weight<br>lbs. kg                      | model #      |     |    |              |     |     |              |
| <b>Units with Valu-Master® Grey Epoxy Coated Shelves</b> |                         |                                        |         |                                        |         |                                        |         |                                        |              |     |    |              |     |     |              |
| 24"                                                      | 610                     | 25 1/2"                                | 648     | 107                                    | 49      | Q1824V76A-4                            | 119     | 54                                     | Q2124V76A-4  | 124 | 56 | Q2424V76A-4  | -   | -   |              |
| 30"                                                      | 762                     | 31 1/2"                                | 800     | 112                                    | 51      | Q1830V76A-4                            | 120     | 55                                     | Q2130V76A-4  | 133 | 60 | Q2430V76A-4  | 163 | 74  | Q3030V76A-4  |
| 36"                                                      | 914                     | 37 1/2"                                | 953     | 117                                    | 53      | Q1836V76A-4                            | 129     | 59                                     | Q2136V76A-4  | 142 | 64 | Q2436V76A-4  | 168 | 76  | Q3036V76A-4  |
| 42"                                                      | 1067                    | 43 1/2"                                | 1105    | 126                                    | 57      | Q1842V76A-4                            | 134     | 61                                     | Q2142V76A-4  | 151 | 68 | Q2442V76A-4  | 181 | 82  | Q3042V76A-4  |
| 48"                                                      | 1219                    | 49 1/2"                                | 1257    | 131                                    | 59      | Q1848V76A-4                            | 143     | 65                                     | Q2148V76A-4  | 156 | 71 | Q2448V76A-4  | 190 | 86  | Q3048V76A-4  |
| 54"                                                      | 1372                    | 55 1/2"                                | 1410    | 144                                    | 65      | Q1854V76A-4                            | 152     | 69                                     | Q2154V76A-4  | 169 | 76 | Q2454V76A-4  | 195 | 88  | Q3054V76A-4  |
| 60"                                                      | 1524                    | 61 1/2"                                | 1562    | 153                                    | 69      | Q1860V76A-4                            | 161     | 73                                     | Q2160V76A-4  | 178 | 81 | Q2460V76A-4  | 204 | 92  | Q3060V76A-4  |
| 66"                                                      | 1676                    | 67 1/2"                                | 1715    | 167                                    | 76      | Q1866V76A-4                            | 175     | 80                                     | Q2166V76A-4  | 192 | 87 | Q2466V76A-4  | 218 | 99  | Q3066V76A-4  |
| 72"                                                      | 1829                    | 73 1/2"                                | 1867    | 169                                    | 77      | Q1872V76A-4                            | 189     | 86                                     | Q2172V76A-4  | 202 | 91 | Q2472V76A-4  | 228 | 103 | Q3072V76A-4  |
| <b>Units with Valu-Gard® Green Epoxy Coated Shelves</b>  |                         |                                        |         |                                        |         |                                        |         |                                        |              |     |    |              |     |     |              |
| 24"                                                      | 610                     | 25 1/2"                                | 648     | 107                                    | 49      | Q1824VG76A-4                           | 119     | 54                                     | Q2124VG76A-4 | 124 | 56 | Q2424VG76A-4 | -   | -   |              |
| 30"                                                      | 762                     | 31 1/2"                                | 800     | 112                                    | 51      | Q1830VG76A-4                           | 120     | 55                                     | Q2130VG76A-4 | 133 | 60 | Q2430VG76A-4 | 163 | 74  | Q3030VG76A-4 |
| 36"                                                      | 914                     | 37 1/2"                                | 953     | 117                                    | 53      | Q1836VG76A-4                           | 129     | 59                                     | Q2136VG76A-4 | 142 | 64 | Q2436VG76A-4 | 168 | 76  | Q3036VG76A-4 |
| 42"                                                      | 1067                    | 43 1/2"                                | 1105    | 126                                    | 57      | Q1842VG76A-4                           | 134     | 61                                     | Q2142VG76A-4 | 151 | 68 | Q2442VG76A-4 | 181 | 82  | Q3042VG76A-4 |
| 48"                                                      | 1219                    | 49 1/2"                                | 1257    | 131                                    | 59      | Q1848VG76A-4                           | 143     | 65                                     | Q2148VG76A-4 | 156 | 71 | Q2448VG76A-4 | 190 | 86  | Q3048VG76A-4 |
| 54"                                                      | 1372                    | 55 1/2"                                | 1410    | 144                                    | 65      | Q1854VG76A-4                           | 152     | 69                                     | Q2154VG76A-4 | 169 | 76 | Q2454VG76A-4 | 195 | 88  | Q3054VG76A-4 |
| 60"                                                      | 1524                    | 61 1/2"                                | 1562    | 153                                    | 69      | Q1860VG76A-4                           | 161     | 73                                     | Q2160VG76A-4 | 178 | 81 | Q2460VG76A-4 | 204 | 92  | Q3060VG76A-4 |
| 66"                                                      | 1676                    | 67 1/2"                                | 1715    | 167                                    | 76      | Q1866VG76A-4                           | 175     | 80                                     | Q2166VG76A-4 | 192 | 87 | Q2466VG76A-4 | 218 | 99  | Q3066VG76A-4 |
| 72"                                                      | 1829                    | 73 1/2"                                | 1867    | 169                                    | 77      | Q1872VG76A-4                           | 189     | 86                                     | Q2172VG76A-4 | 202 | 91 | Q2472VG76A-4 | 228 | 103 | Q3072VG76A-4 |

\* For unit width, add 5 inches to shelf width.  
 \*\* Dimensions are nominal.

**EAGLE GROUP**  
 100 Industrial Boulevard, Clayton, DE 19938-8903 USA  
 Phone: 302-653-3000 or 800-441-8440 • Fax: 302-653-2065  
 www.eaglegrp.com • www.eaglehmc.com

Printed in U.S.A.  
 ©2022 by Eagle Group  
 Rev. 04/22

Spec sheets available for viewing, printing or downloading from our online literature library at [www.eaglegrp.com](http://www.eaglegrp.com)

Although every attempt has been made to ensure the accuracy of the information provided, we cannot be held responsible for typographical or printing errors. Information and specifications are subject to change without notice. Please confirm at time of order.