

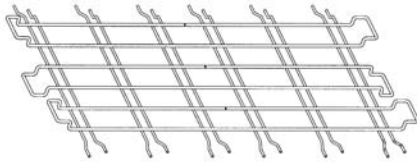
Bulk Wine Shelving

ASSEMBLY INSTRUCTIONS

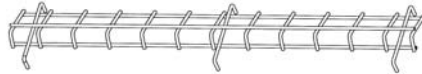
CAUTION

INSPECT CONTENTS IMMEDIATELY AND FILE CLAIM WITH DELIVERING CARRIER FOR ANY DAMAGE.
SAVE YOUR BOX AND ALL PACKING MATERIALS.
YOU ARE RESPONSIBLE FOR DAMAGE TO YOUR UNIT IF RETURNED IMPROPERLY PACKED.

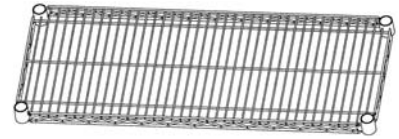
Parts List



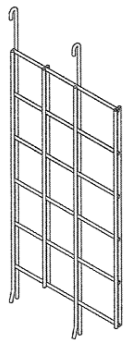
rear enclosure panel
quantity: 3



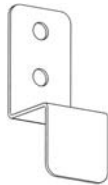
bottle support
quantity: 3



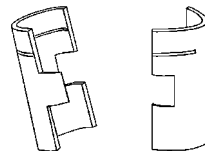
wire shelf
quantity: 4*
* quantity of 2 for SC-style units



8"-wide bin divider
quantity: varies per order



wall clamp
quantity: 6



split sleeve - 4 sets

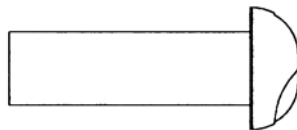


74"-high post
quantity: 4

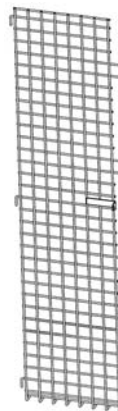
for SC style units only:



end panel
quantity: 2



#311981 one-way bolt
(actual size)



left-hand door
quantity: 1



right-hand door
quantity: 1

(continued on Page 2)

Bulk Wine Shelving

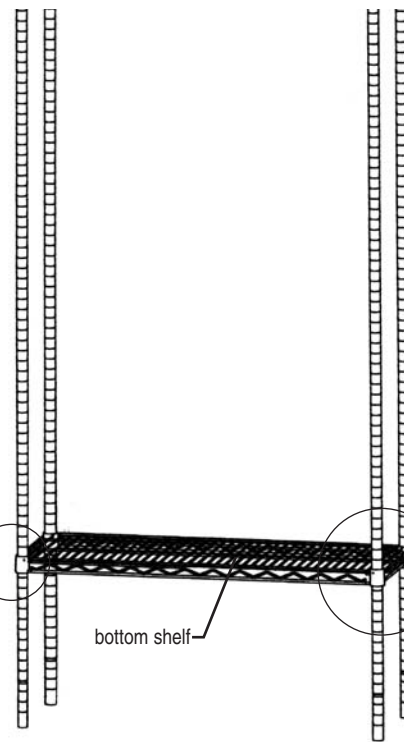
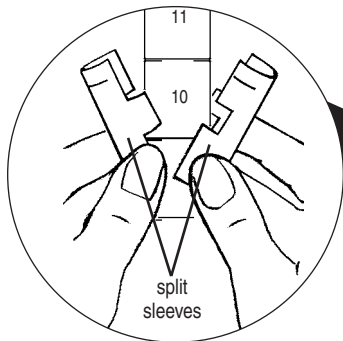
ASSEMBLY INSTRUCTIONS

Step 1 - Attach split sleeves (for bottom shelf) to #10 groove on posts.

- The wider part of the taper goes toward the bottom.
- Make sure rib on split sleeve is seated into a groove on the post.

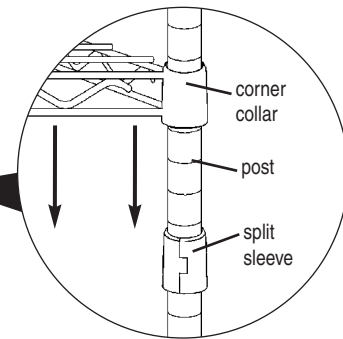
Note: The number covered by the split sleeve indicates approximate height of shelf.

IMPORTANT: "SC"-style units include two wire shelves with a notch along the mid front. Make sure to install notched shelf as bottom and top shelf of unit.

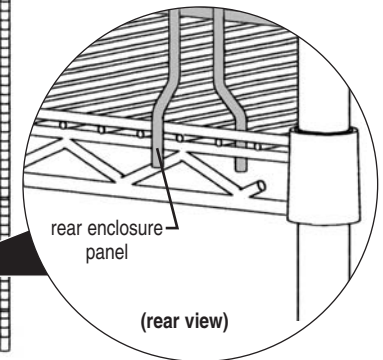
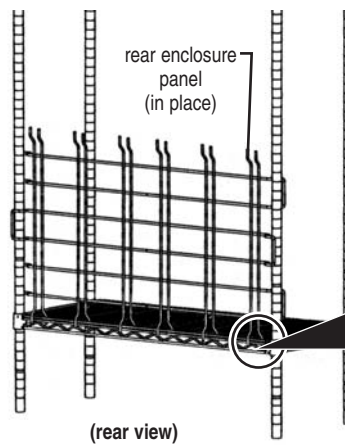
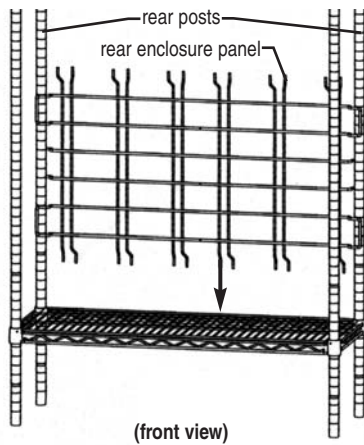


Step 2 - Mount bottom shelf.

Slide bottom shelf collars over posts and down onto split sleeves.



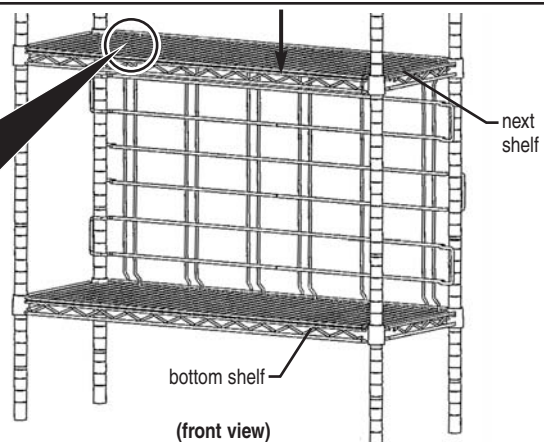
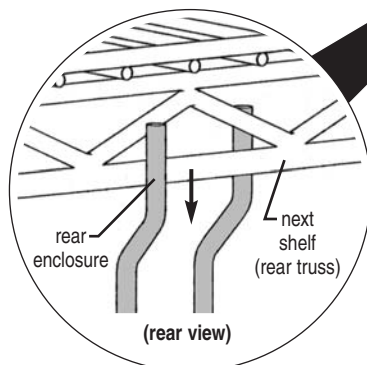
Step 3 - Slip rear enclosure panel over rear posts and seat onto wire shelf.



Step 4 - Install next shelf to unit.

- Repeat **Step 1**, snapping split sleeves onto #31 groove on posts.
- Lower shelf onto split sleeves.

Run wires of rear enclosure panel through rear wire shelf truss.

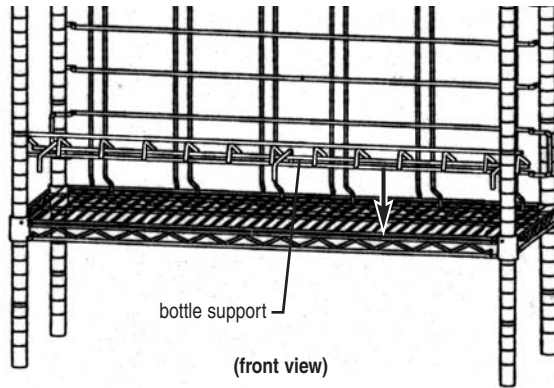


(continued on Page 3)

Bulk Wine Shelving

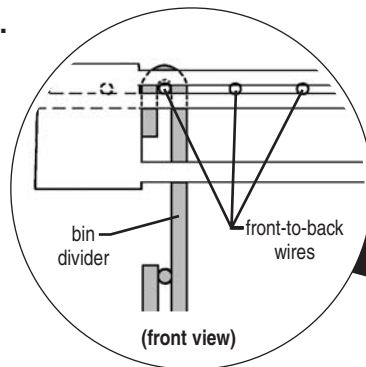
ASSEMBLY INSTRUCTIONS

Step 5 - Seat bottle support onto wire shelf towards front.

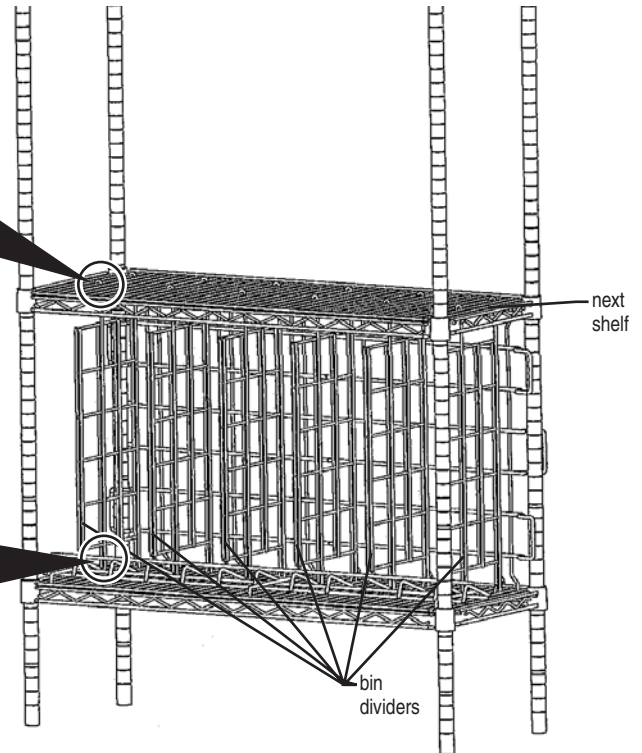
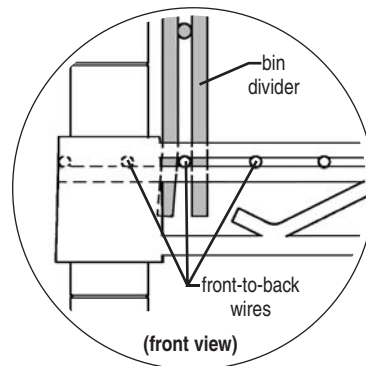


Step 6 - Attach bin dividers.

Hook bin dividers onto desired locations of next shelf.



Run bottom wires of bin dividers through front-to-back wires of bottom shelf.



PLEASE READ BEFORE CONTINUING:

Repeat Steps 3 through 6 to install remaining tiers, snapping split sleeves onto #52 groove on posts (for third shelf) and onto #73 groove on posts (for top shelf).

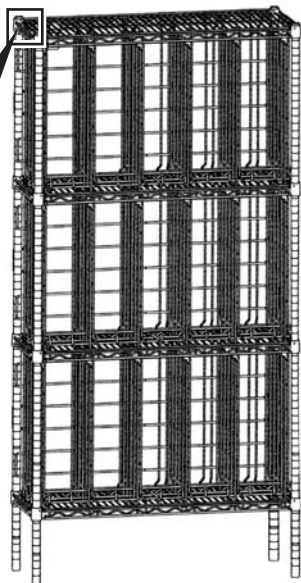
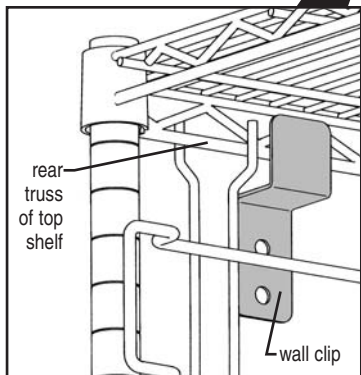
(continued on back page)

Bulk Wine Shelving

ASSEMBLY INSTRUCTIONS

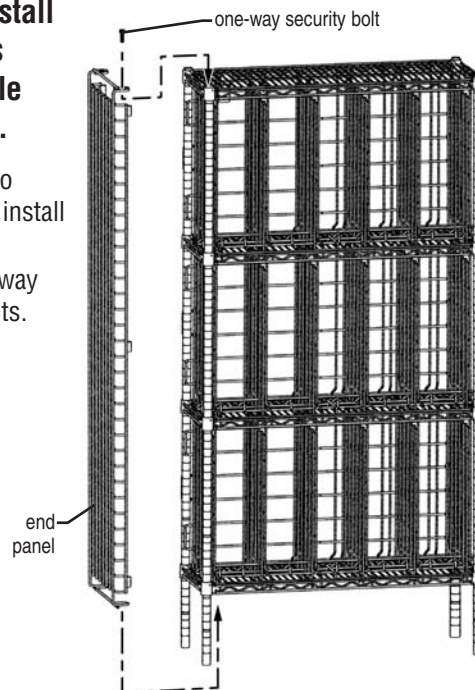
Step 7 - Fasten rear truss of top shelf to wall, using wall clips.

Note: Screws not included.



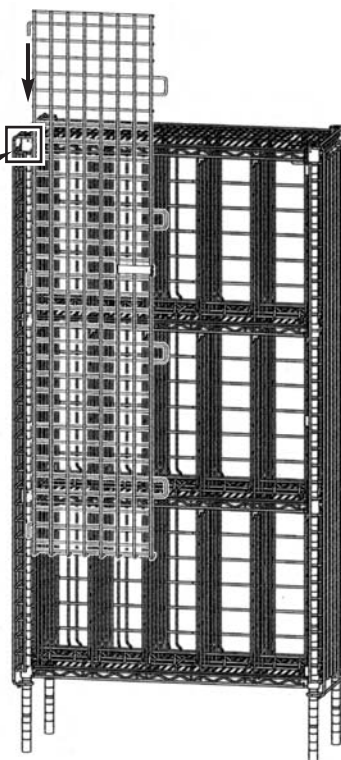
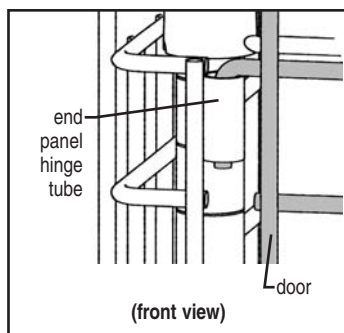
Step 8 - Install end panels (for SC-style units only).

- Tilt unit onto one side to install end panel.
- Install one-way security bolts.



Step 9 - Install doors (for SC-style units only).

Drop doors into hinge tubes of end panels.



(End)