

ASSEMBLY INSTRUCTIONS**CAUTION**

INSPECT CONTENTS IMMEDIATELY AND FILE CLAIM WITH DELIVERING CARRIER FOR ANY DAMAGE.

SAVE YOUR BOX AND ALL PACKING MATERIALS.

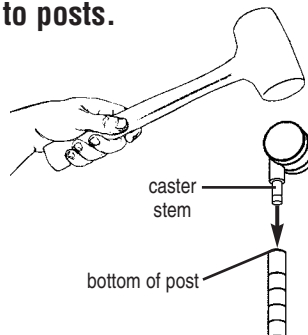
YOU ARE RESPONSIBLE FOR DAMAGE TO YOUR UNIT IF RETURNED IMPROPERLY PACKED.

HELPFUL SUGGESTION:

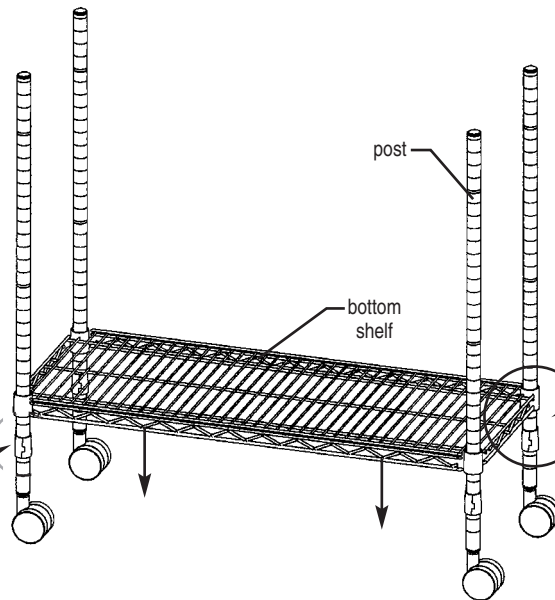
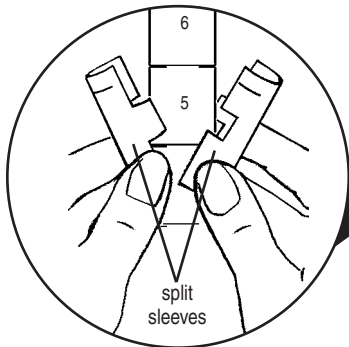
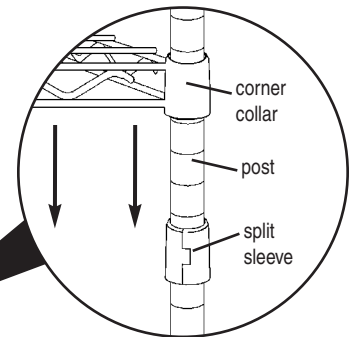
Installation is easier if all posts are marked first to indicate desired shelf locations. Lay posts on floor, with top or bottom of posts against a wall or straight edge. Mark all posts, using a magic marker or grease pencil.

Step 1 - Assemble casters to posts.

Drive in caster using a hammer or mallet. Several solid blows are usually required.

**Step 2 - Attach split sleeves (for bottom shelf) to posts.**

- The wider part of the taper goes toward the bottom.
 - Make sure rib on split sleeve is seated into a groove on the post.
- Note: The number covered by the split sleeve indicates approximate height of shelf.

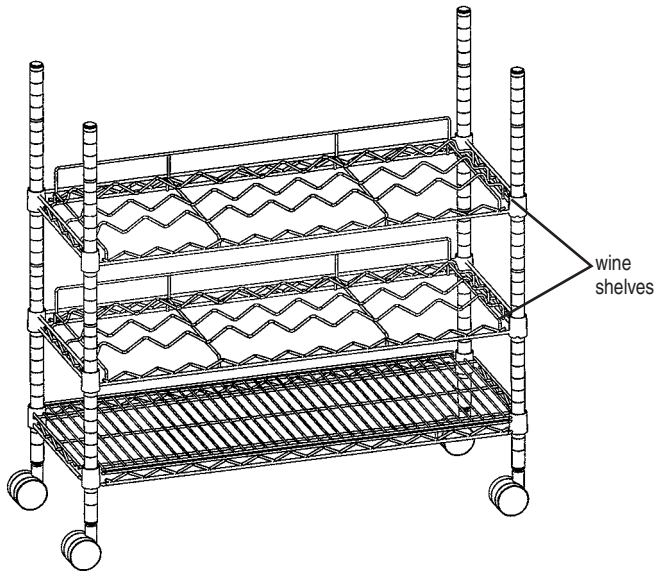
**Step 3 - Mount bottom shelf.**

(continued on back page)

EG10098 Revised 12/08

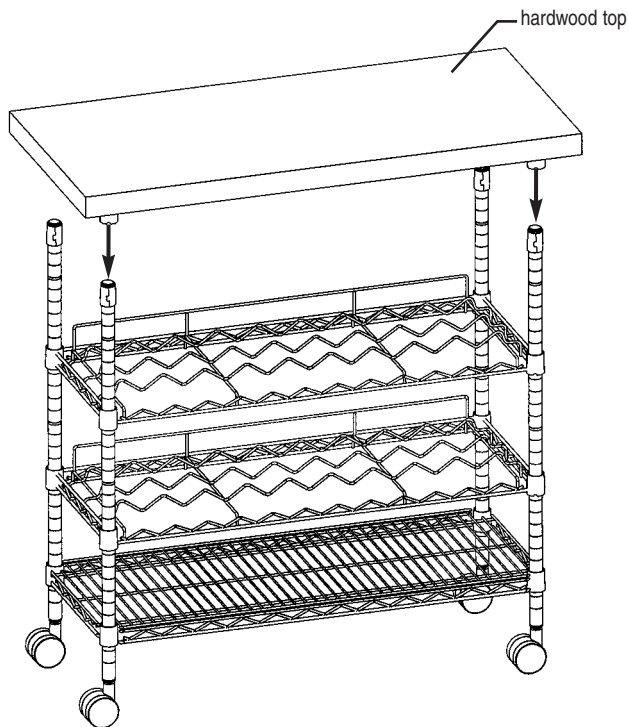
Kitchen Wine Cart

ASSEMBLY INSTRUCTIONS



Step 4: Mount wine shelves at desired heights.

Repeat Steps 2 & 3 (front page), working from bottom to top.



Step 5: Mount hardwood top.

Repeat Steps 2 & 3 (front page), attaching split sleeves at the topmost grooves of posts.

Assembly is complete.

(End)