

**HFL-5000 Handwashing System****ASSEMBLY INSTRUCTIONS****CAUTION**

INSPECT CONTENTS IMMEDIATELY AND FILE CLAIM WITH DELIVERING CARRIER FOR ANY DAMAGE.

**SAVE YOUR BOX AND ALL PACKING MATERIALS.**

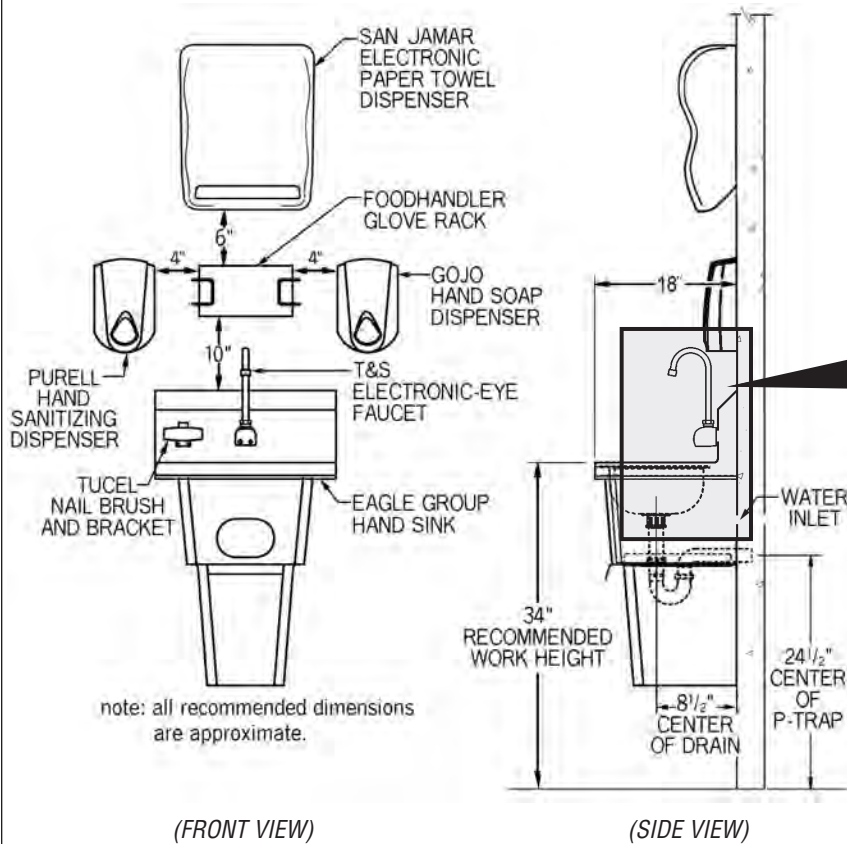
YOU ARE RESPONSIBLE FOR DAMAGE TO YOUR UNIT IF RETURNED IMPROPERLY PACKED.

**Please note before assembly:**

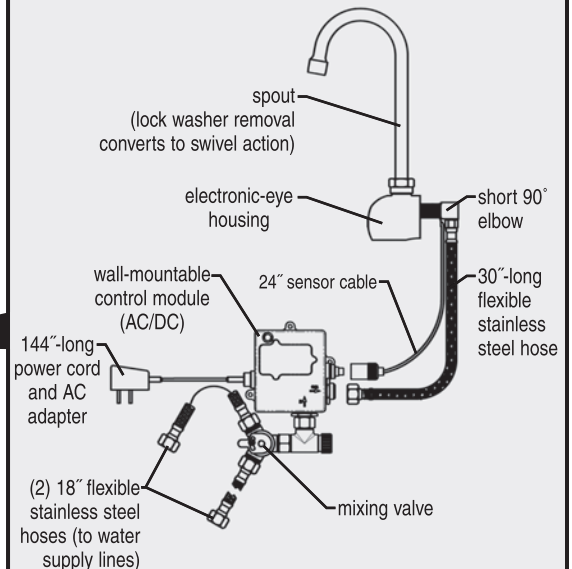
- Determine where you want to install the system. Make sure to leave enough wall space to accommodate all components.
- For plumbing rough-ins, refer to instructions packed with hand sink.

**Parts List**

- Eagle Group hand sink
- T&S® electronic-eye faucet
- PURELL® hand sanitizing dispenser
- GOJO® hand soap dispenser
- San Jamar electronic paper towel dispenser
- FoodHandler® glove rack
- Tucel nail brush



\* LOCATION OF WATER INLET ROUGH-IN RECOMMENDED TO BE WITHIN AREA OF SINK BODY, ABOVE P-TRAP.

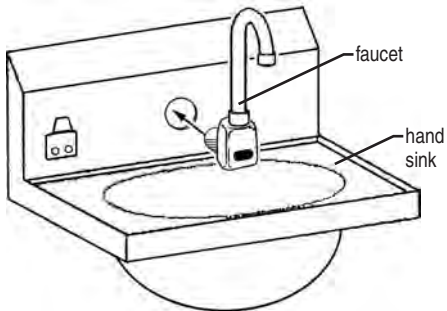
**Details of Electronic-Eye Faucet**

**(continued on Page 2)**

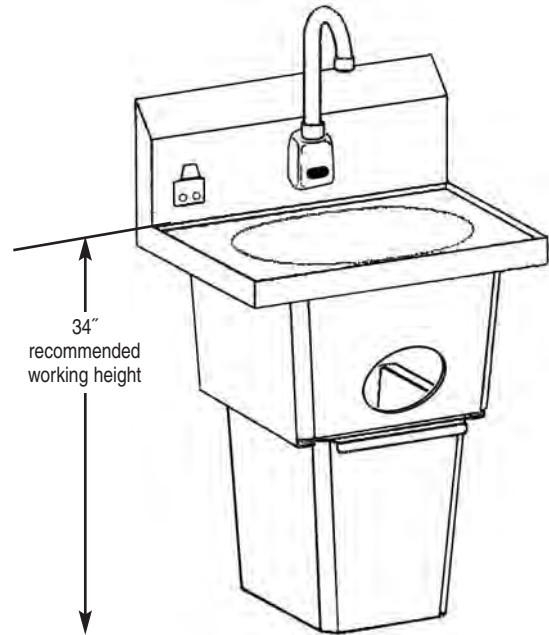
# #HFL-5000 Handwashing System

## ASSEMBLY INSTRUCTIONS

**Step 1: Attach faucet to hand sink, per faucet instructions.**

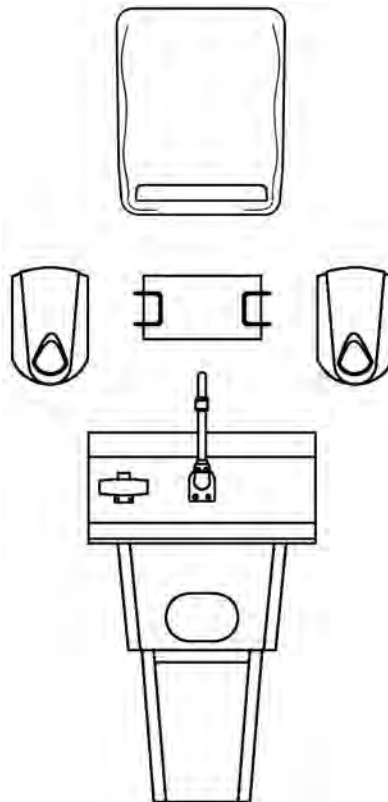


**Step 2: Assemble hand sink to wall, per instructions packed with hand sink.**



**Step 3: Attach remaining components to wall, arranging in desired configuration.**

(Note: Each component has its own instructions. Follow carefully for mounting to wall.)



**(End)**